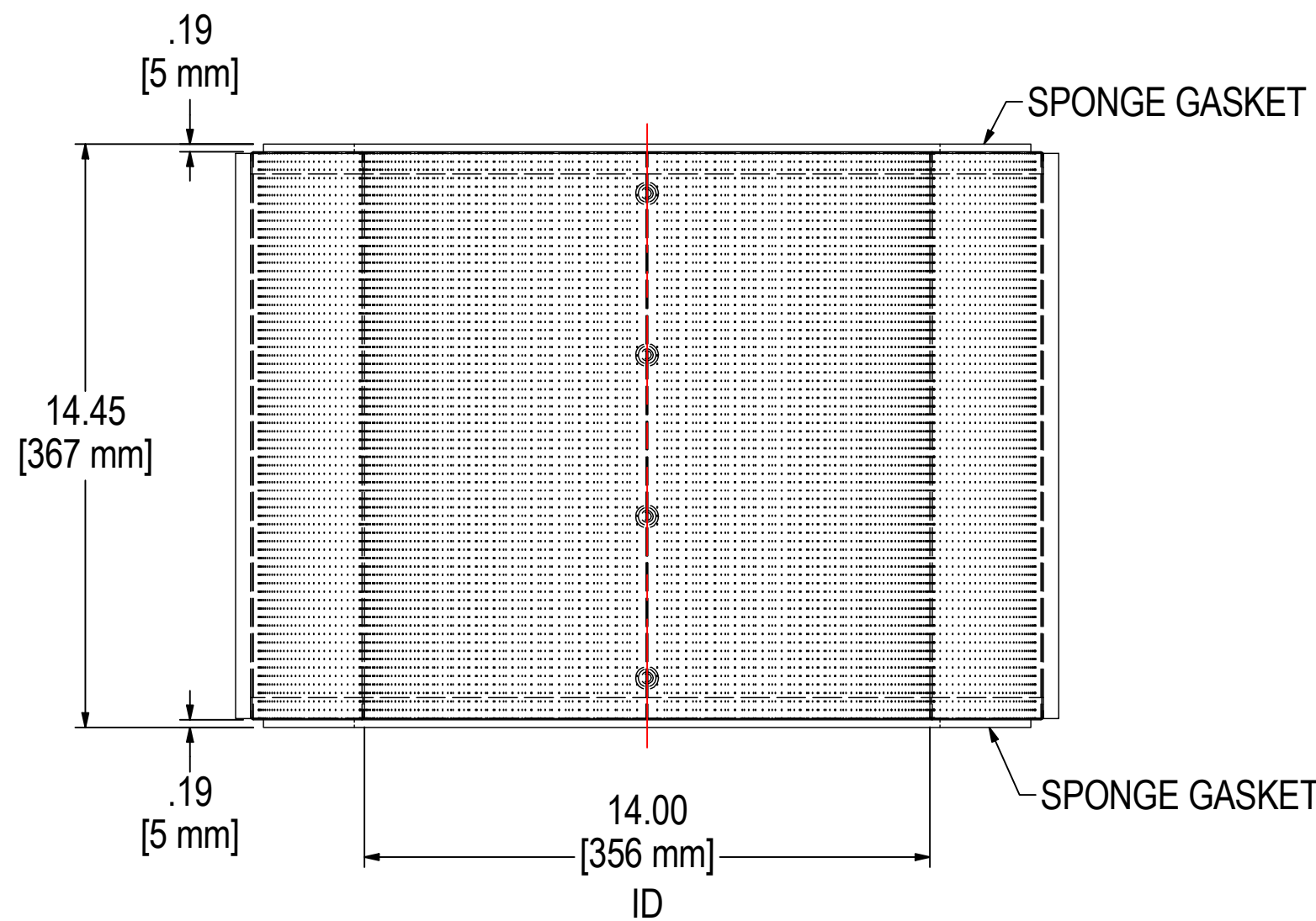
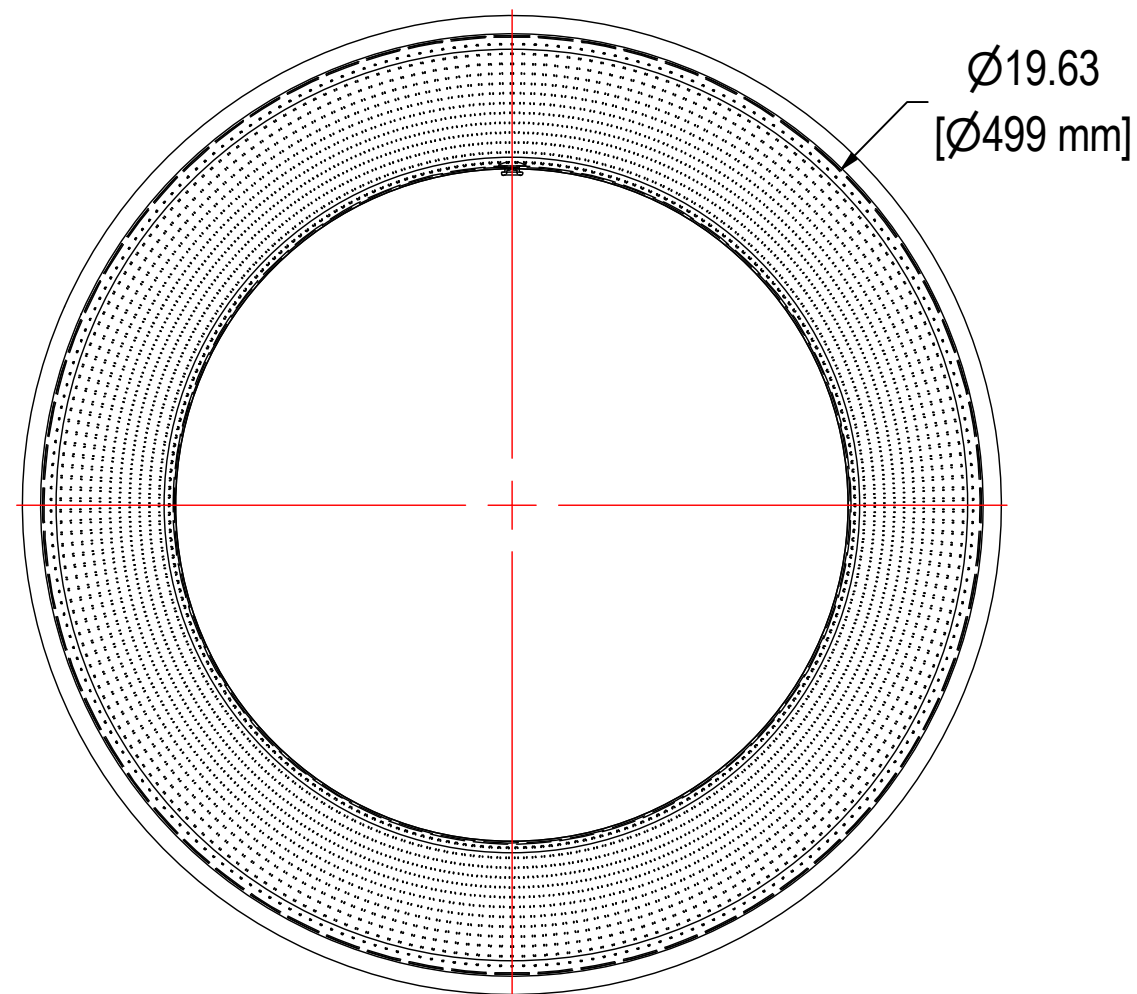


REV	DESCRIPTION	ECN #	CHG BY	DATE	APP'D
A	UPDATED TO 3D	-	TAS	09/12/19	NAD



ELEMENT SPECS	
PART NUMBER	384P
MATERIAL	Paper
FLOW RATE	3300 CFM 5607 m ³ /hr
SURFACE AREA	140.0 ft ² 13.0 m ²
I.D.	SEE DRAWING
O.D.	SEE DRAWING
HEIGHT	SEE DRAWING

SOLBERG
Filtration • Separation • Silencing
630.773.1363 • www.solbergmfg.com

THE INFORMATION CONTAINED HEREIN IS CONFIDENTIAL AND THE PROPERTY OF SOLBERG MANUFACTURING INC. AND IT IS FURNISHED TO YOU WITH THE EXPRESS UNDERSTANDING THAT IT WILL NOT BE REPRODUCED, COPIED IN ANY MANNER, LOANED OR OTHERWISE TRANSFERRED TO OTHERS ENTIRELY OR IN PART, NOR USED FOR ANY PURPOSE OTHER THAN FOR WHICH IT WAS FURNISHED. IT WILL BE RETURNED UPON REQUEST TO SOLBERG MANUFACTURING INC. THE ABOVE RESTRICTION IS IN ADDITION TO, AND DOES NOT IN ANY WAY ALTER, ANY OTHER RESTRICTIONS WHICH MAY APPLY TO THE INFORMATION CONTAINED HEREIN.

TOLERANCES
DIMENSIONS ARE FOR REFERENCE ONLY. ALL DIMENSIONS ARE SUBJECT TO CHANGE UPON PRODUCTION.
UNLESS OTHERWISE SPECIFIED:
-DIMENSIONS ARE IN INCHES
-REF: APPROXIMATE DIMENSIONS, NO TOLERANCES APPLY
-FINISH: BREAK EDGES TO .005-.020 RADIUS/CHAMFER

MODEL NUMBER: 384P	SHEET: 1 OF 1	
DESCRIPTION: 384P, PAPER		
PROJECT: SD21330	DRAWN BY: EZR DATE: 4/27/2015	APPROVED BY: CCS DATE: 4/27/2015
		REV: A